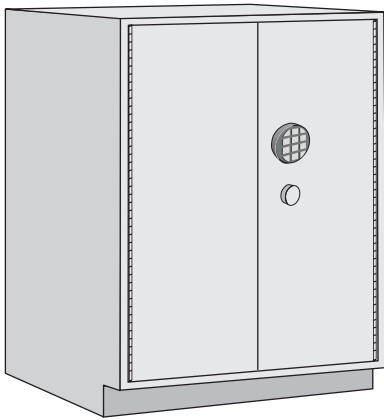


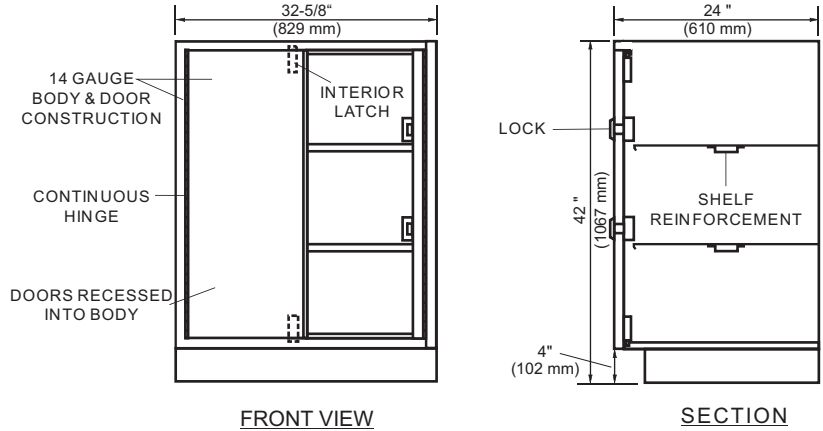
Product ID: MKR 3005 C LVC



Lower Vault Cabinet

SPECIFICATIONS:

- 14 (0.075) gauge steel construction
- fixed base
- right hand door secured with digital combination lock - can be programmed for single or dual custody
- left hand door secured by 2 spring loaded end bolts
- 2 adjustable shelves
- standard colour light gray, other colours available



APPLICATION:

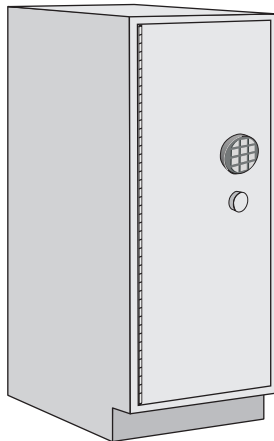
- used within vault
- secure cash and other valuables

- Security Equipment -



- Financial Institutions -

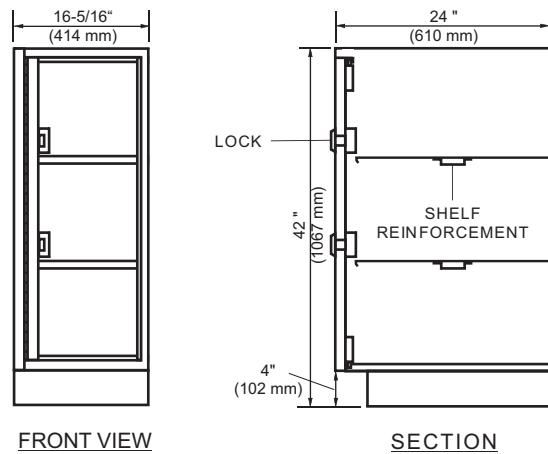
Product ID: MKR 3005 C HM



Lower Vault Cabinet - Half Module

SPECIFICATIONS:

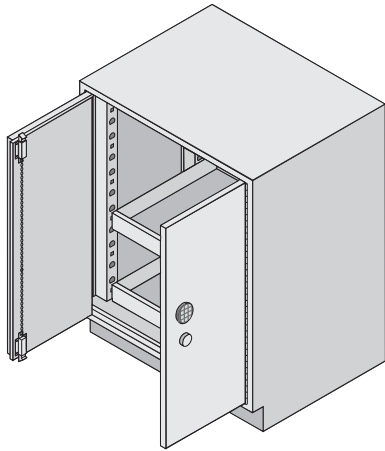
- 14 (0.075) gauge steel construction
- fixed base
- door secured with digital combination lock - can be programmed for single or dual custody
- 2 adjustable shelves
- standard colour light gray, other colours available



APPLICATION:

- used within vault
- secure cash and other valuables

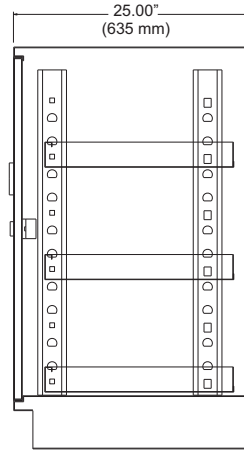
Product ID: MKR 3005 C/3D LVC



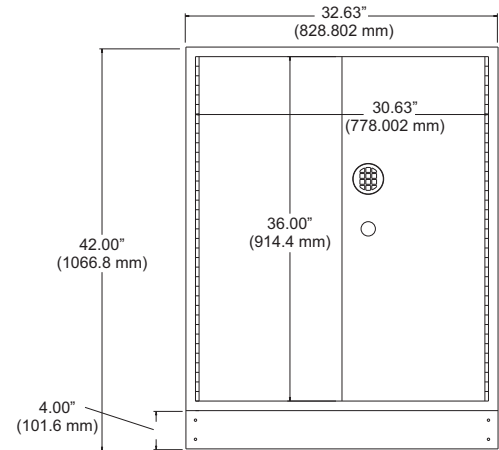
Lower Vault Cabinet

SPECIFICATIONS:

- 14 (0.075) gauge steel construction
- double doors constructed with bandit barrier
- left door secured with two spring loaded end bolts
- right door secured by digital combination lock - can be programmed for single or dual custody
- 3 pull-out drawers on heavy duty full extension slides
- optional filing bin
- standard colour light gray, other colours available



SECTION



FRONT VIEW

APPLICATION:

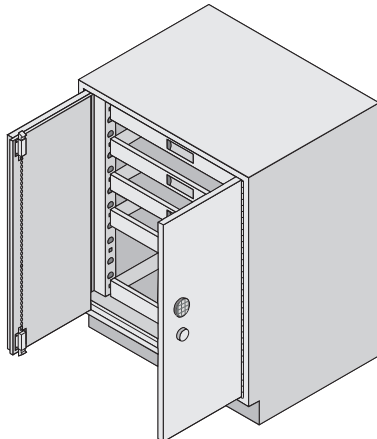
- used within vault
- secure cash and other valuables

- Security Equipment -



- Financial Institutions -

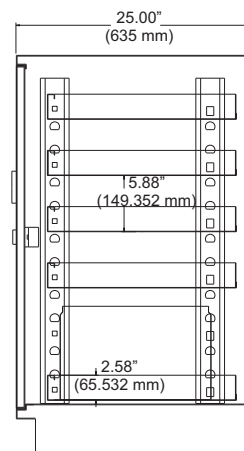
Product ID: MKR 3005 C/5D LVC



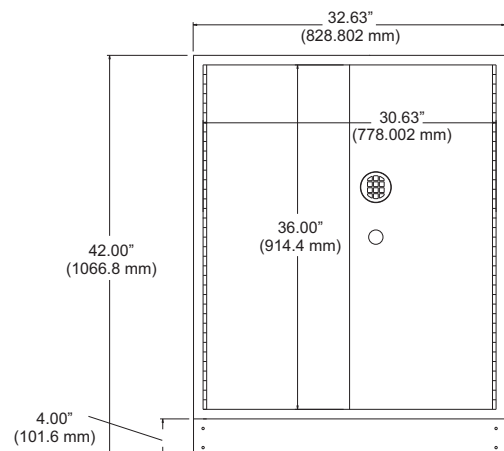
Lower Vault Cabinet

SPECIFICATIONS:

- 14 (0.075) gauge steel construction
- double doors constructed with bandit barrier
- left door secured with two spring loaded end bolts
- right door secured by digital combination lock - can be programmed for single or dual custody
- 5 pull-out drawers on heavy duty full extension slides
- filing bin in bottom tray
- standard colour light gray, other colours available



SECTION



FRONT VIEW

APPLICATION:

- used within vault
- secure cash and other valuables