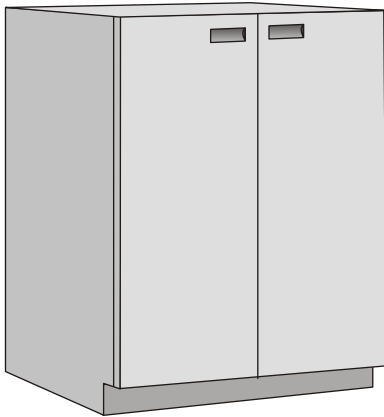


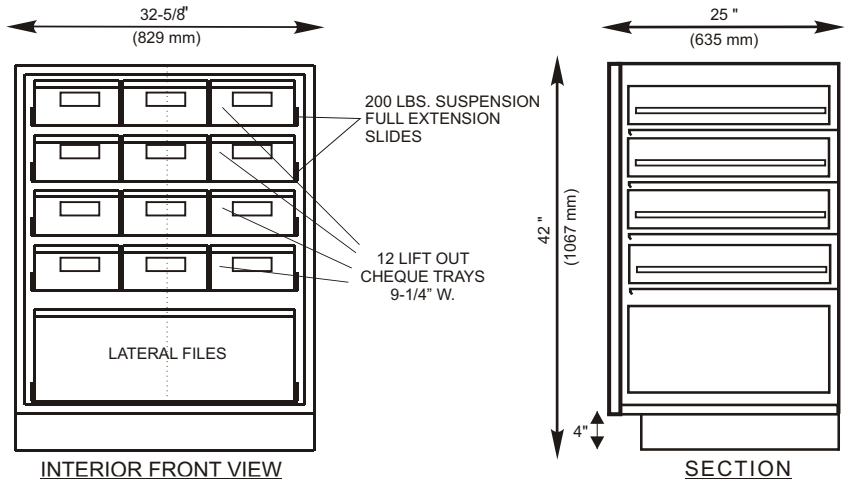
**Product ID: MKR 3009 A LVC**



**Lower Vault Cabinet**

**SPECIFICATIONS:**

- doors secured by one key lock (std.), dual custody is optional
- twelve (12) 9-1/4" cheque trays and one (1) rack for lateral letter filing, mounted on full extension pull-out slides
- fixed base
- standard colour light gray, other colours available



**APPLICATION:**

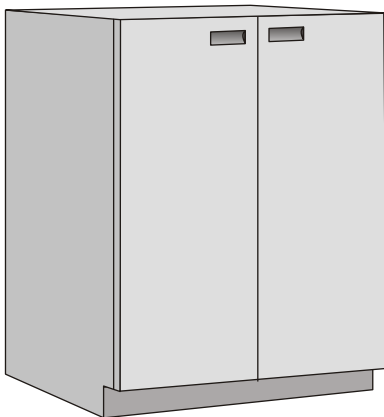
- used within vault
- light security storage of non-negotiables

**- Security Equipment -**



**- Financial Institutions -**

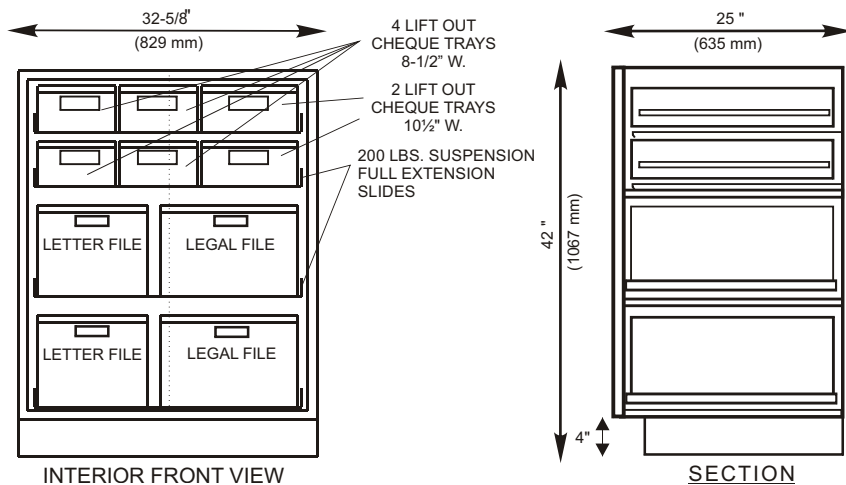
**Product ID: MKR 3009 B LVC**



**Lower Vault Cabinet**

**SPECIFICATIONS:**

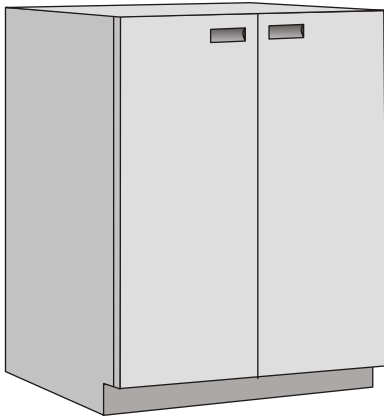
- doors secured by one key lock (std.), dual custody is optional
- four (4) 8-1/2" cheque trays, two (2) 10-1/2" cheque trays, two (2) letter file inserts and two (2) legal file inserts, mounted on full extension pull-out slides
- fixed base
- additional locks available upon request
- standard colour light gray, other colours available



**APPLICATION:**

- used within vault
- light security storage of non-negotiables

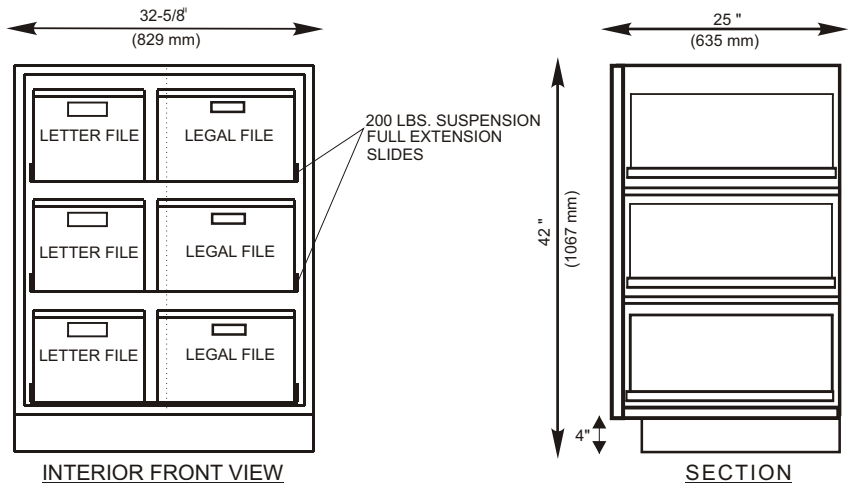
**Product ID: MKR 3009 C LVC**



**Lower Vault Cabinet**

**SPECIFICATIONS:**

- doors secured by one key lock (std.), dual custody is optional
- three (3) letter file inserts and three (3) legal file inserts, mounted on full extension pull-out slides
- fixed base
- additional locks available upon request
- standard colour light gray, other colours available



**APPLICATION:**

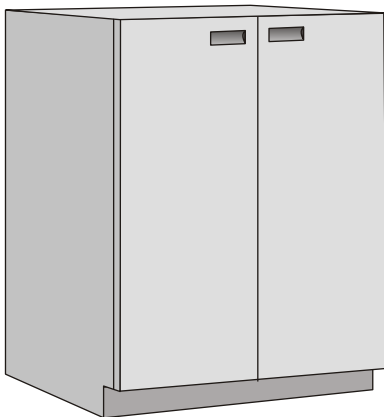
- used within vault
- light security storage of non-negotiables

**- Security Equipment -**



**- Financial Institutions -**

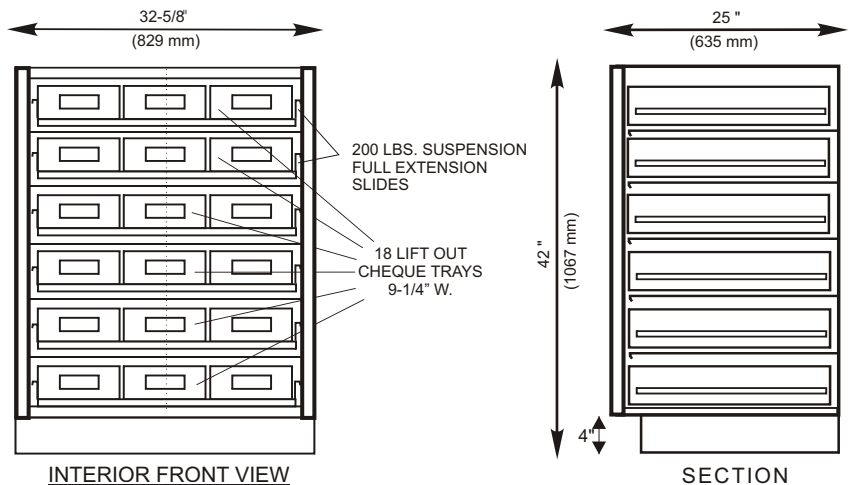
**Product ID: MKR 3009 D LVC**



**Lower Vault Cabinet**

**SPECIFICATIONS:**

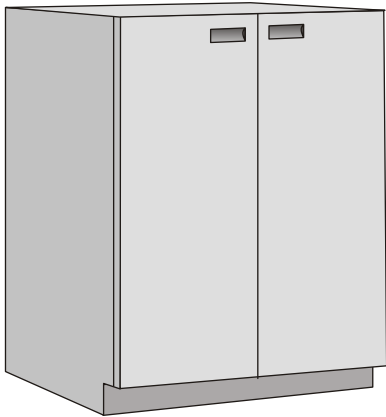
- doors secured by one key lock (std.), dual custody is optional
- eighteen (18) cheque trays, mounted on full extension pull-out slides
- fixed base
- additional locks available upon request
- standard colour light gray, other colours available



**APPLICATION:**

- used within vault
- light security storage of non-negotiables

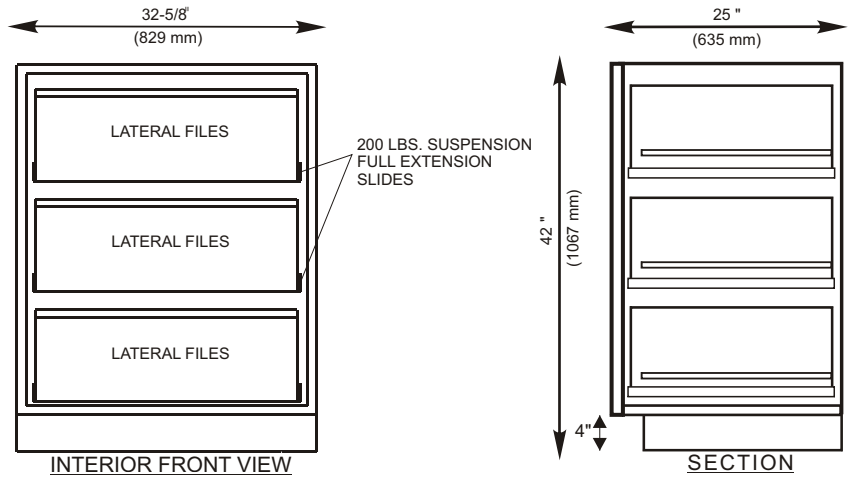
**Product ID: MKR 3009 E LVC**



**Lower Vault Cabinet**

**SPECIFICATIONS:**

- doors secured by one key lock (std.), dual custody is optional
- three (3) letter/legal file inserts, mounted on full extension pull-out slides
- fixed base
- additional locks available upon request
- standard colour light gray, other colours available



**APPLICATION:**

- used within vault
- light security storage of non-negotiables

**- Security Equipment -**



**- Financial Institutions -**