

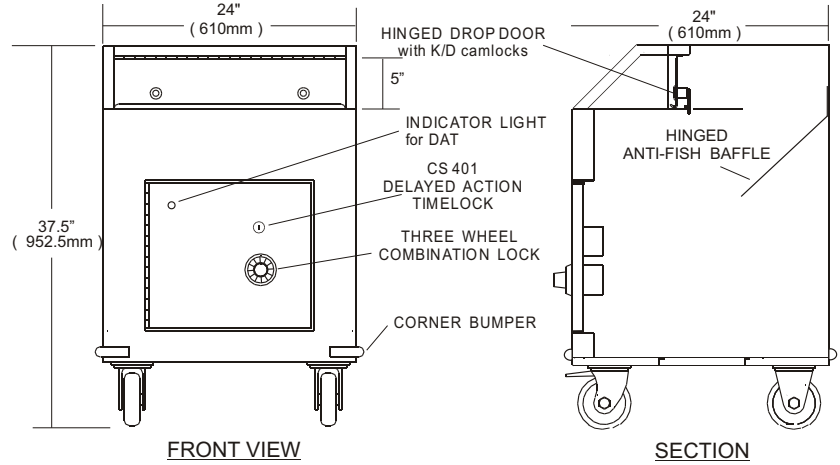
Product ID: MKR 3030 CCT



Cash Collection Truck

SPECIFICATIONS:

- 5"h x 22"w deposit opening secured by lockable hinged door
- bandit barrier drop compartment secured by mechanical time delayed action lock (DAT) supplied with battery powered flash-pack to signal opening window
- dual custody control with three wheel combination lock - electronic lock options available
- foot brake pedals on wheels prevent the unit from rolling when stationary
- bottom corners protected by rubber bumpers



APPLICATION:

- safe transportation of cash collected in wallets and pouches from points of collection to secure area

- Security Equipment -



- Financial Institutions -