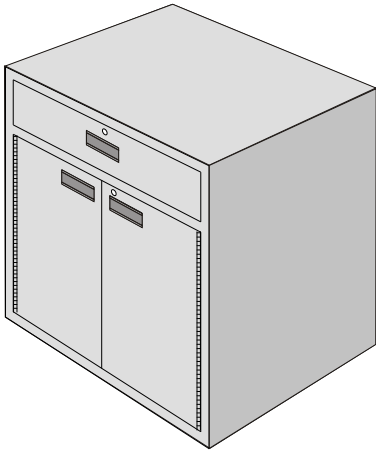


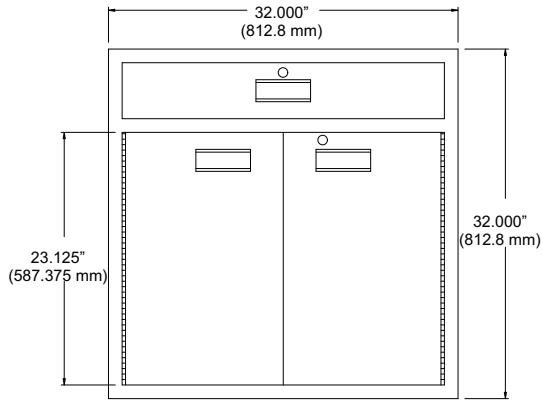
Product ID: MKR 3054 CUP A-1



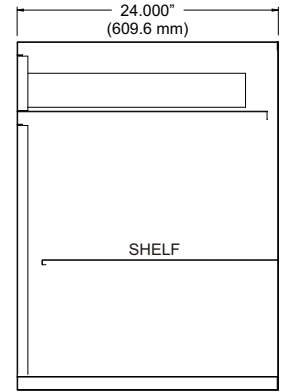
Teller Under Counter Unit

SPECIFICATIONS:

- full width drawer on heavy duty full extension slides
- top drawer and cupboards individually key locked



FRONT VIEW



SECTION

APPLICATION:

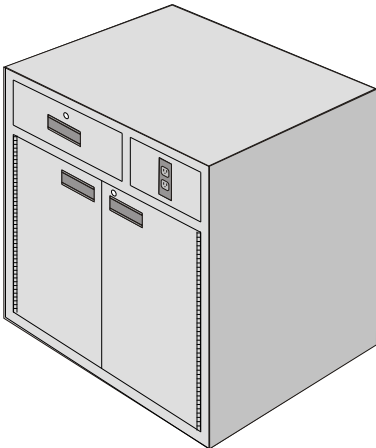
- large capacity teller's cupboard
- light security storage

- Security Equipment -



- Financial Institutions -

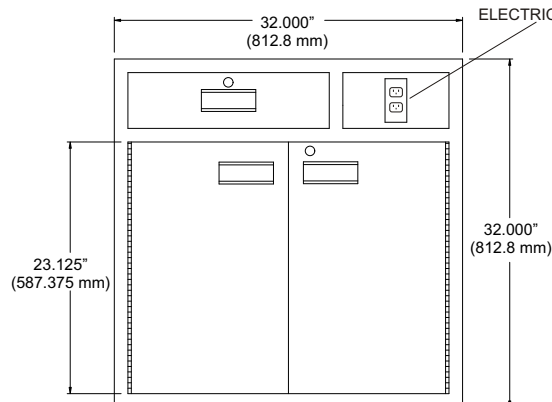
Product ID: MKR 3054 CUP A



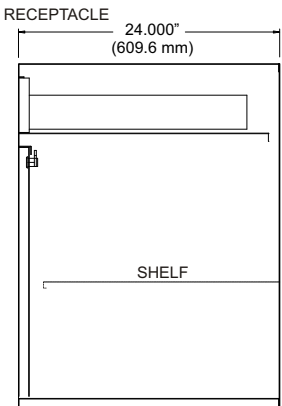
Teller Under Counter Unit

SPECIFICATIONS:

- drawer on heavy duty full extension slides
- built in electrical receptacle
- top drawer and cupboards individually key locked



FRONT VIEW

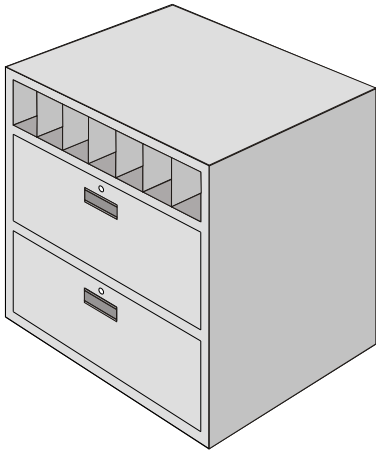


SECTION

APPLICATION:

- large capacity teller's cupboard
- light security storage

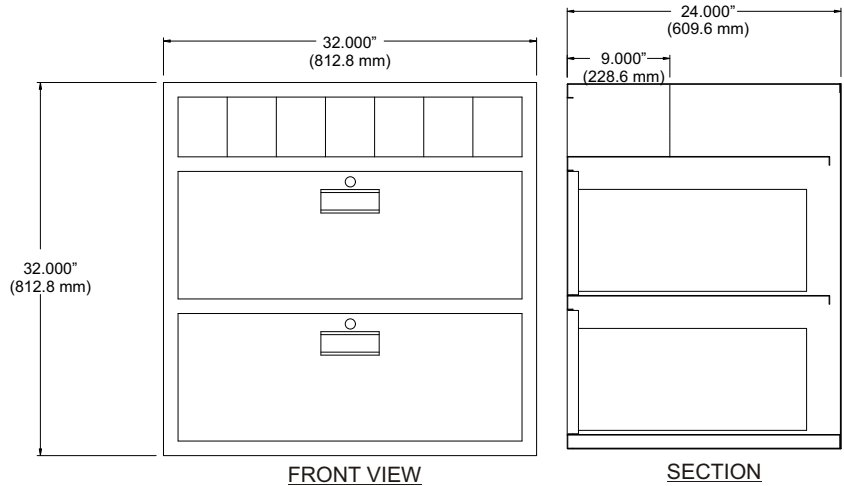
Product ID: MKR 3054 CUP E



Teller Under Counter Unit

SPECIFICATIONS:

- both full width drawers on heavy duty full extension slides
- both drawers individually key locked
- 7 pigeon holes for quick access storage



APPLICATION:

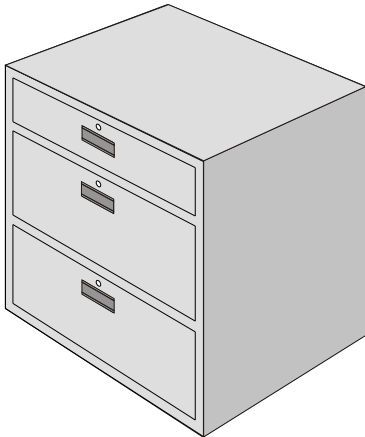
- large capacity teller's cupboard
- light security storage
- full width lateral file drawers

- Security Equipment -



- Financial Institutions -

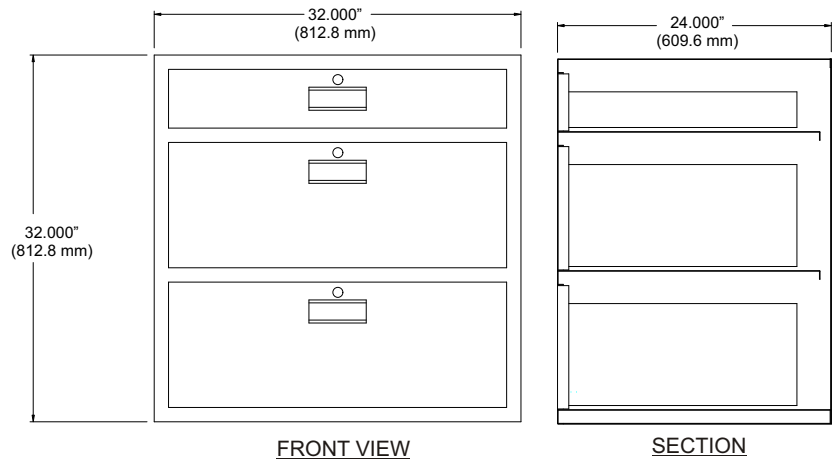
Product ID: MKR 3054 CUP E21



Teller Under Counter Unit

SPECIFICATIONS:

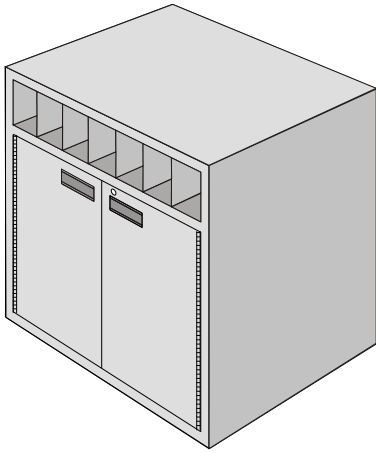
- full width drawers on heavy duty full extension slides
- all drawers individually key locked



APPLICATION:

- large capacity teller's cupboard
- light security storage
- middle and bottom full width lateral file drawers

Product ID: MKR 3054 CUP C1



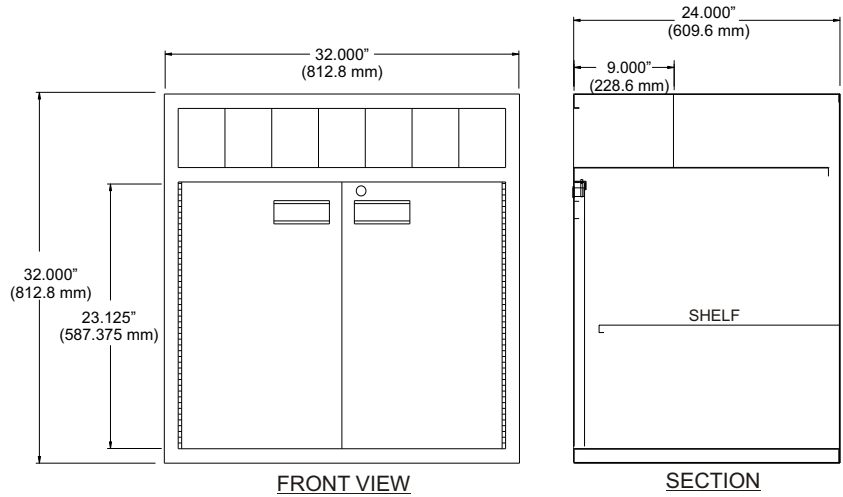
Teller Under Counter Unit

APPLICATION:

- large capacity teller's cupboard
- light security storage

SPECIFICATIONS:

- cupboards are key locked
- 7 pigeon holes for quick access storage



- Security Equipment -



- Financial Institutions -