

**Product ID: MKR 3054 TAH**



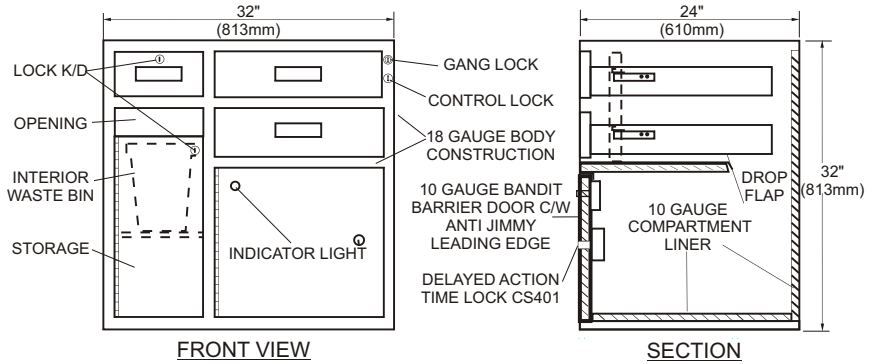
**Teller Anti Hold-Up Unit  
(Right Hand Option)**

**APPLICATION:**

- modular large capacity teller station
- multi function side car with lockable utility drawer / waste basket & personal locker

**SPECIFICATIONS:**

- main body top drawer fitted with a lockable cash & currency tray, and a currency tray
- main body bottom drawer fitted with voucher tray and cash drop facility
- bandit barrier drop compartment secured by mechanical time delayed action lock (DAT) supplied with battery powered flash-pack to signal opening window
- side car drawer and storage compartment door key locked
- stock colour - black, grey or beige

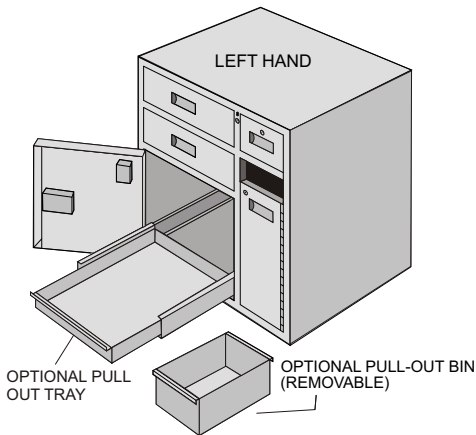


**- Security Equipment -**



**- Financial Institutions -**

**Product ID: MKR 3054 TAH**



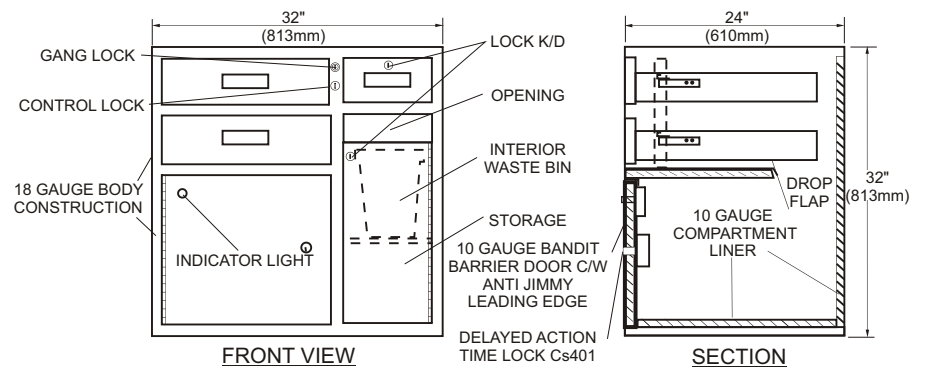
**Teller Anti Hold-Up Unit  
(Left Hand Option)**

**APPLICATION:**

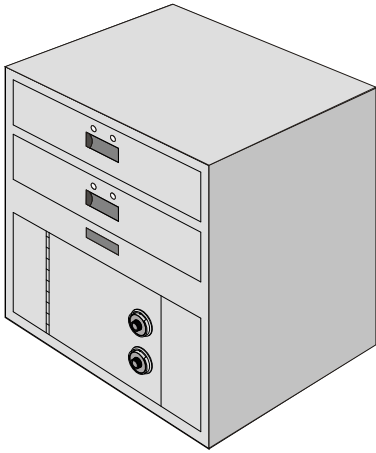
- modular large capacity teller station
- multi function side car with lockable utility drawer / waste basket & personal locker

**SPECIFICATIONS:**

- main body top drawer fitted with a lockable cash & currency tray, and a currency tray
- main body bottom drawer fitted with voucher tray and cash drop facility
- bandit barrier drop compartment secured by mechanical time delayed action lock (DAT) supplied with battery powered flash-pack to signal opening window
- side car drawer and storage compartment door key locked
- stock colour - black, grey or beige



**Product ID: MKR 3054 TAH D**



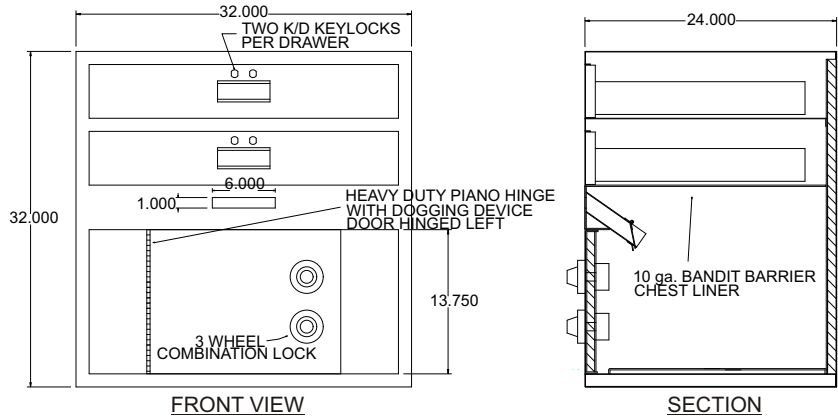
**Teller Anti Hold-Up Unit**

**SPECIFICATIONS:**

- top drawer fitted with two voucher trays
- bottom drawer empty
- both full width drawers on heavy duty full extension slides, dual custody control using key locks
- bandit barrier compartment chest with 1" x 6" deposit slot for cash drops
- bandit barrier compartment chest is dual custody controlled, using mechanical combination locks or digital electronic locks
- stock colour - black, grey or beige

**APPLICATION:**

- multi user modular teller station, dual custody controlled
- large capacity cash drop compartment chest



**- Security Equipment -**



**- Financial Institutions -**