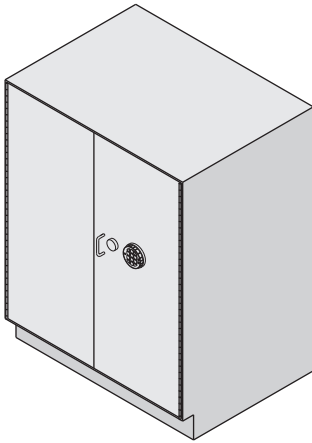


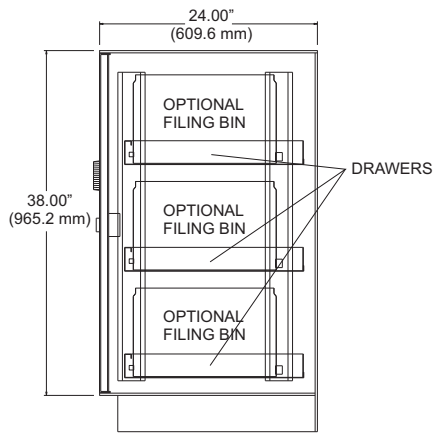
Product ID: MKR 4001 1A



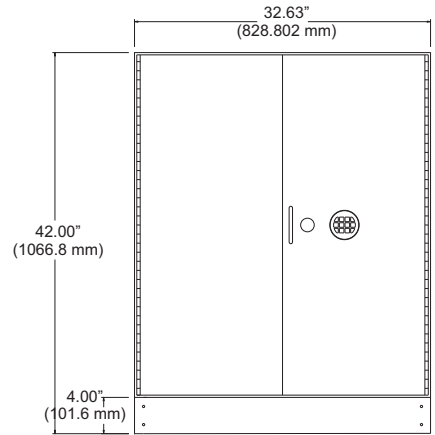
Security Locker

SPECIFICATIONS:

- doors are (10 (0.130) gauge) bandit barrier construction using full length heavy duty piano hinges
- choice of mechanical or digital combination locks
- full width pull-out trays on 200 lbs full extension ball bearing slides



SECTION



FRONT VIEW

APPLICATION:

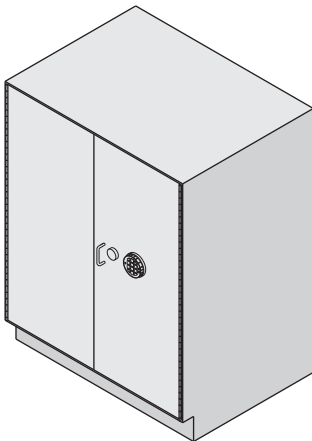
- modular (1/4" plate) teller security locker with fixed base, removable kick plate
- used within vault to store cash and/or other valuables

- Security Equipment -



- Financial Institutions -

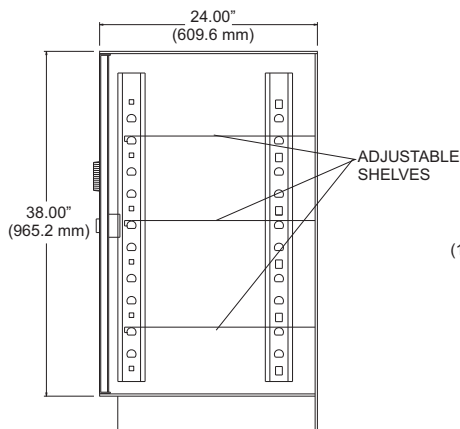
Product ID: MKR 4001 1A



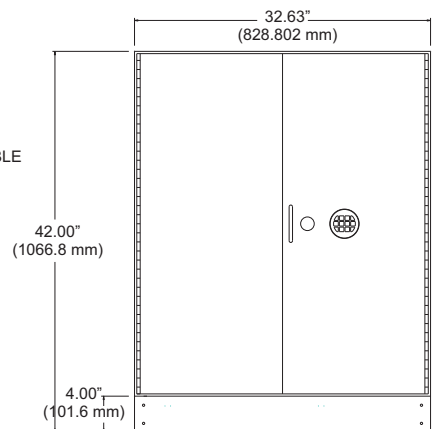
Security Locker

SPECIFICATIONS:

- doors are (10 (0.130) gauge) bandit barrier construction using full length heavy duty piano hinges
- choice of mechanical or digital combination locks
- adjustable heavy duty shelves



SECTION

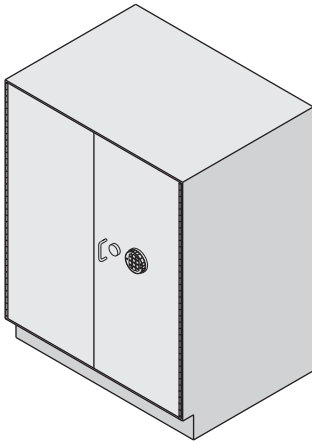


FRONT VIEW

APPLICATION:

- modular (1/4" plate) teller security locker with fixed base, removable kick plate
- used within vault to store cash and/or other valuables

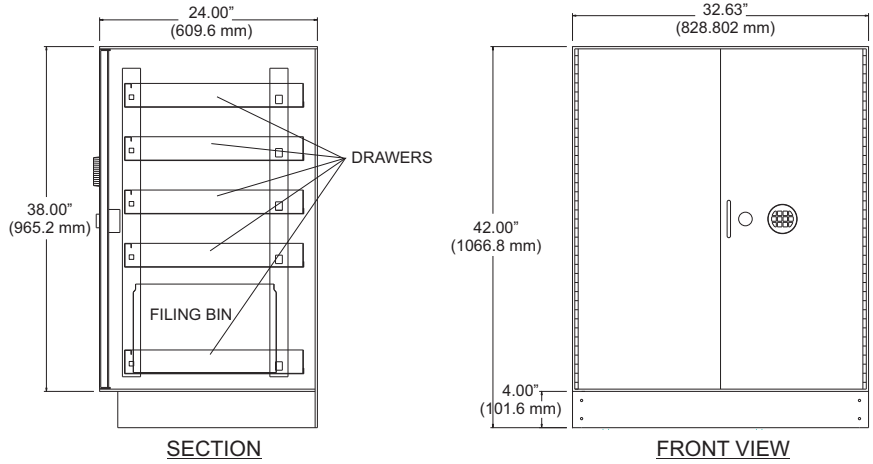
Product ID: MKR 4001 1A



Security Locker

SPECIFICATIONS:

- doors are (10 (0.130) gauge) bandit barrier construction using full length heavy duty piano hinges
- choice of mechanical or digital combination locks
- full width pull-out trays on 200 lbs full extension ball bearing slides
- removable bin for hanging files



APPLICATION:

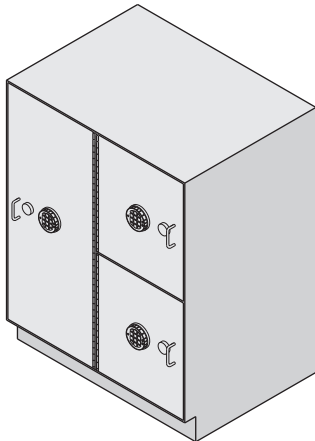
- modular (1/4" plate) teller security locker with fixed base, removable kick plate
- used within vault to store cash and/or other valuables

- Security Equipment -



- Financial Institutions -

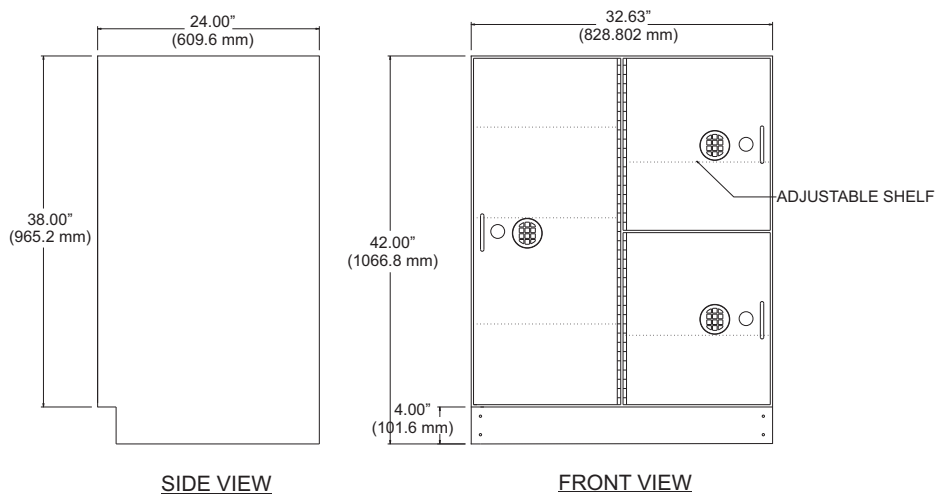
Product ID: MKR 4003 1B/2D



Security Locker

SPECIFICATIONS:

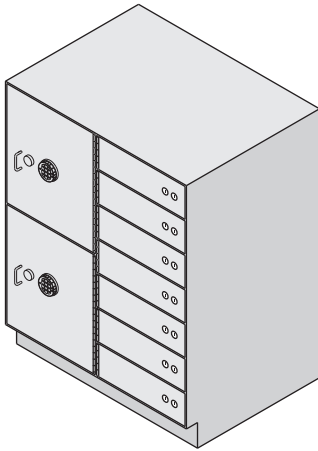
- doors are (10 (0.130) gauge) bandit barrier construction using full length heavy duty piano hinges
- choice of mechanical or digital combination locks
- adjustable heavy duty shelves



APPLICATION:

- modular (1/4" plate) teller security locker with fixed base, removable kick plate
- used within vault to store cash and/or other valuables

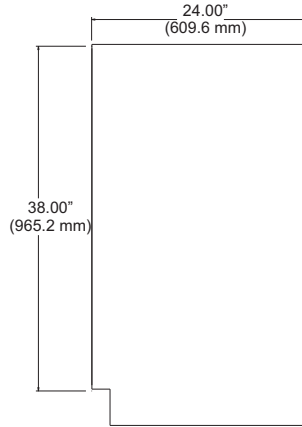
Product ID: MKR 4009 2D/7F



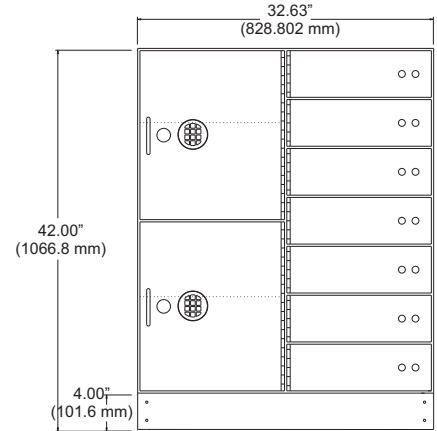
Security Locker

SPECIFICATIONS:

- doors are (10 (0.130) gauge) bandit barrier construction using full length heavy duty piano hinges
- choice of mechanical or digital combination locks - single or dual nose safety deposit box locks
- adjustable heavy duty shelves



SIDE VIEW



FRONT VIEW

APPLICATION:

- modular (1/4" plate) teller security locker with fixed base, removable kick plate
- used within vault to store cash and/or other valuables

- Security Equipment -



- Financial Institutions -

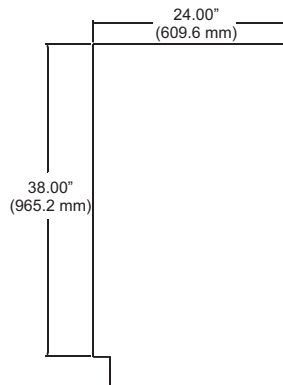
Product ID: MKR 4012 2E/10F



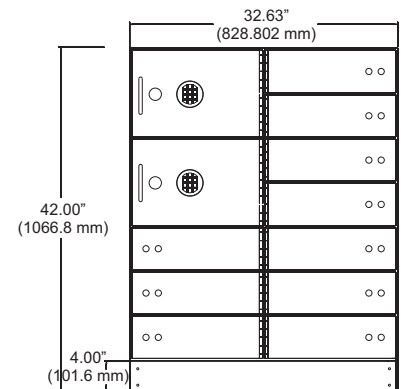
Security Locker

SPECIFICATIONS:

- doors are (10 (0.130) gauge) bandit barrier construction using full length heavy duty piano hinges
- choice of mechanical or digital combination locks - single or dual nose safety deposit box locks



SIDE VIEW

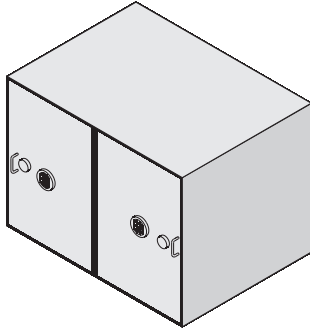


FRONT VIEW

APPLICATION:

- modular (1/4" plate) teller security locker with fixed base, removable kick plate
- used within vault to store cash and/or other valuables

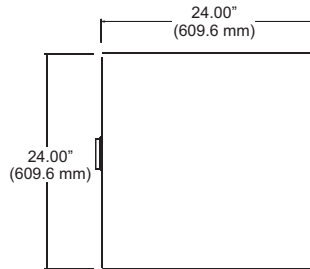
Product ID: MKR 4002 2D



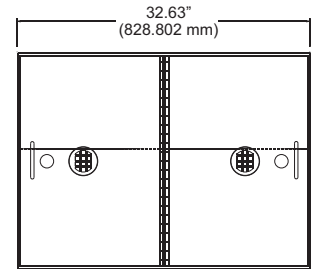
Security Locker

SPECIFICATIONS:

- doors are (10 (0.130) gauge) bandit barrier construction using full length heavy duty piano hinges
- choice of mechanical or digital combination locks
- fixed heavy duty shelves



SIDE VIEW



FRONT VIEW

APPLICATION:

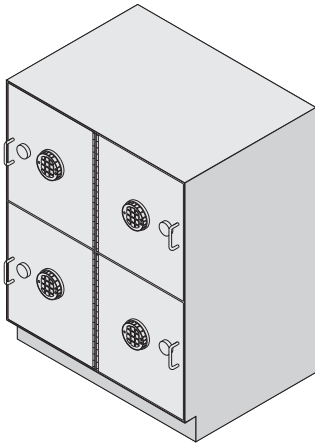
- modular (1/4" plate) teller security locker with fixed base, removable kick plate
- used within vault to store cash and/or other valuables

- Security Equipment -



- Financial Institutions -

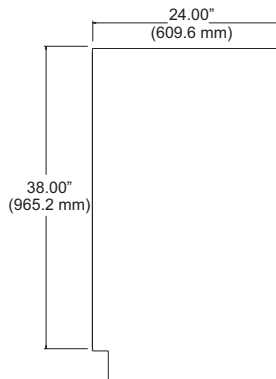
Product ID: MKR 4004 4D



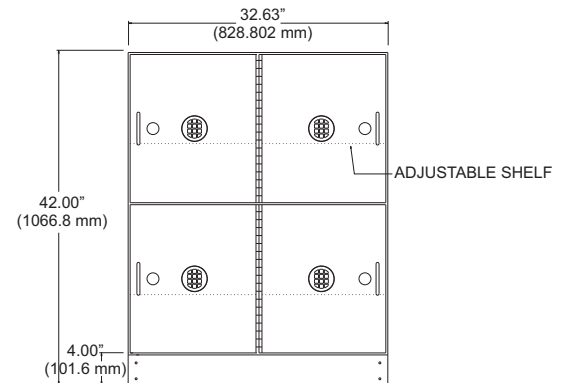
Security Locker

SPECIFICATIONS:

- doors are (10 (0.130) gauge) bandit barrier construction using full length heavy duty piano hinges
- choice of mechanical or digital combination locks
- adjustable heavy duty shelves



SIDE VIEW



FRONT VIEW

APPLICATION:

- modular (1/4" plate) teller security locker with fixed base, removable kick plate
- used within vault to store cash and/or other valuables

MKR 4000 Security Locker - Possible interior module combinations. Other combinations are possible.

Interior Module Dimensions (w x h):

A - Full Cabinet

B - 16.315" x 37.5"

C - 16.315" x 21.25"

D - 16.315" x 18.625"

E - 16.315" x 10.5"

F - 16.315" x 5.125"

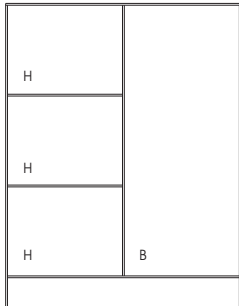
G - 16.315" x 16"

H - 16.315" x 12.25"

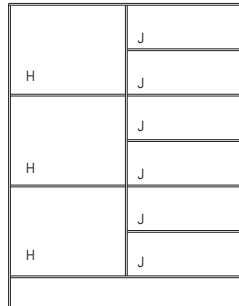
I - 16.315" x 26.625"

J - 16.315" x 6"

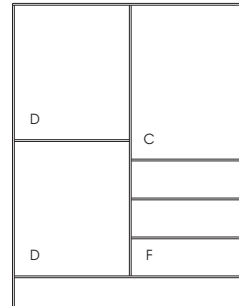
K - 16.315" x 13.25"



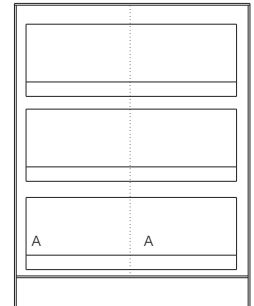
MKR 4004 1B/3H



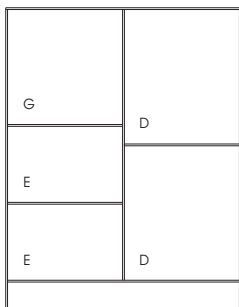
MKR 4009 3H/6J



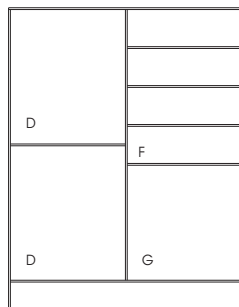
MKR 4006 1C/2D/3F



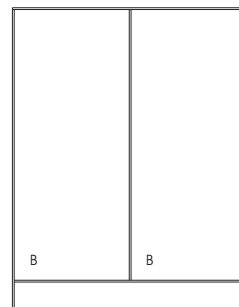
MKR 4001 1A



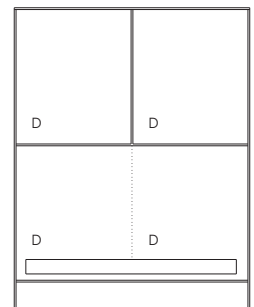
MKR 4005 2D/2E/1G



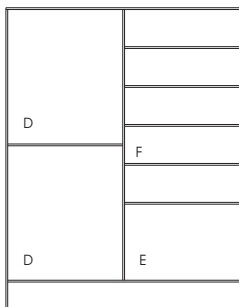
MKR 4007 2D/4F/1G



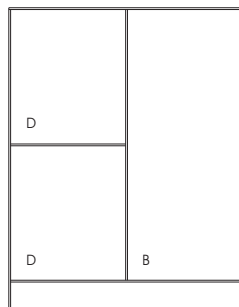
MKR 4002 2B



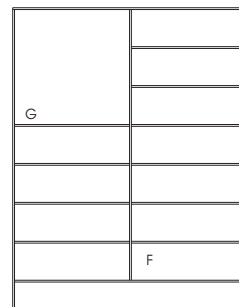
MKR 4004 4D



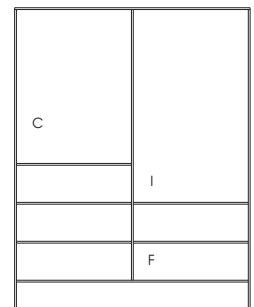
MKR 4008 2D/1E/5F



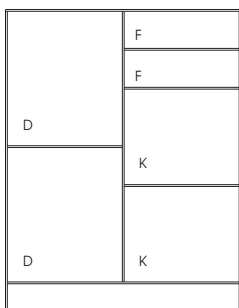
MKR 4003 1B/2D



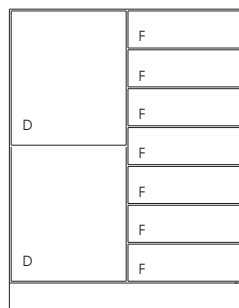
MKR 4012 11F/1G



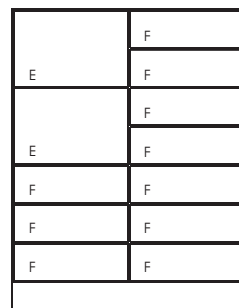
MKR 4007 1C/5F/1I



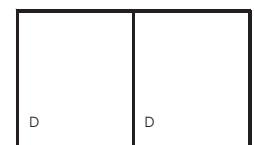
MKR 4006 2D/2F/2K



MKR 4009 2D/7F



MKR 4012 2E/10F



MKR 4002 2D