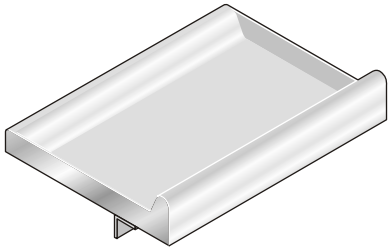


**Product ID: MKR 4031 SSDT**



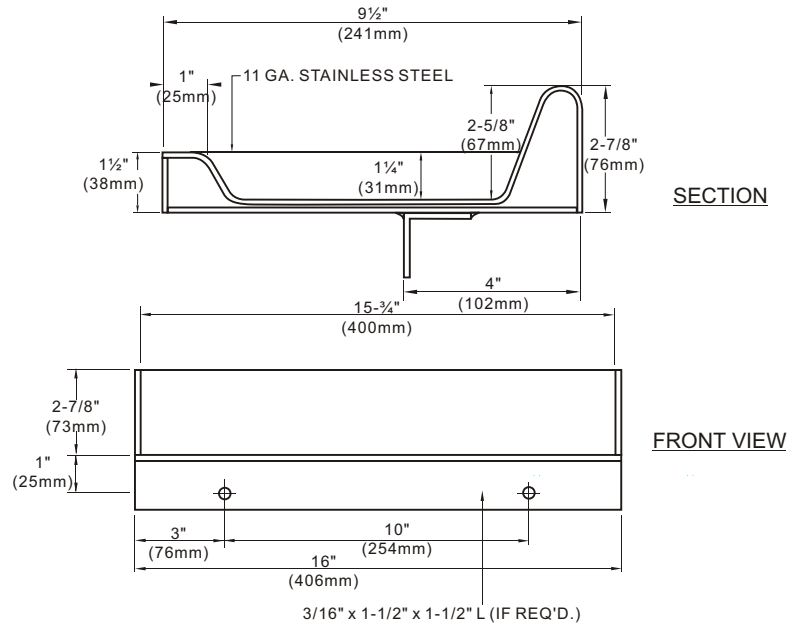
**Stainless Steel Deal Tray**

**APPLICATION:**

- used as part of teller's counter line for secure interaction with clients

**SPECIFICATIONS:**

- 11 gauge stainless steel construction
- designed to deflect bullets and other projectiles up and away from teller

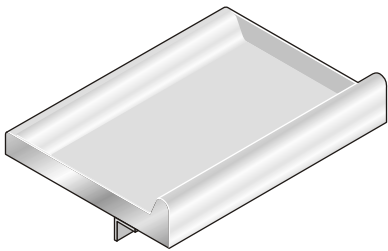


**- Security Equipment -**



**- Financial Institutions -**

**Product ID: MKR 4031 SSDT**



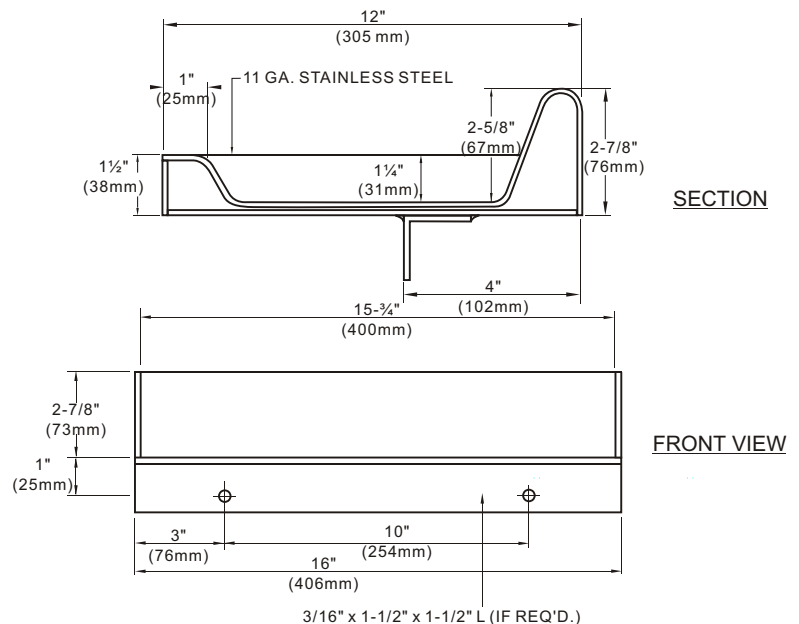
**Stainless Steel Deal Tray Extended**

**APPLICATION:**

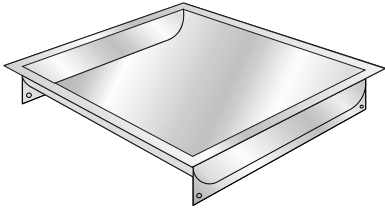
- used as part of teller's counter line for secure interaction with clients

**SPECIFICATIONS:**

- 11 gauge stainless steel construction
- designed to deflect bullets and other projectiles up and away from teller



**Product ID: 12 ga. Deal Tray**



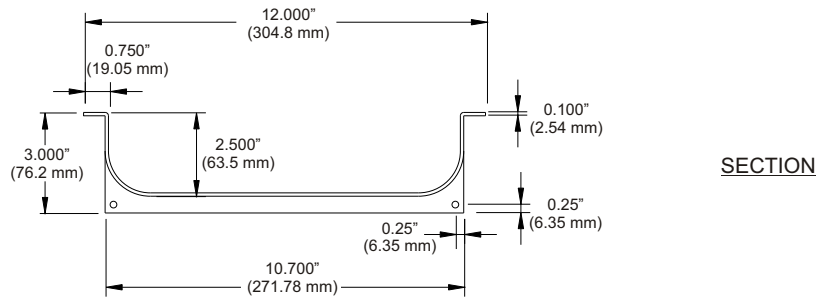
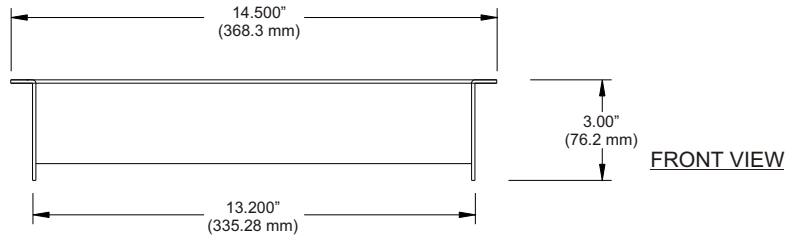
**12 ga. Stainless Steel Deal Tray**

**APPLICATION:**

- used as part of teller's counter line for secure interaction with clients

**SPECIFICATIONS:**

- 12 gauge stainless steel construction



**- Security Equipment -**



**- Financial Institutions -**