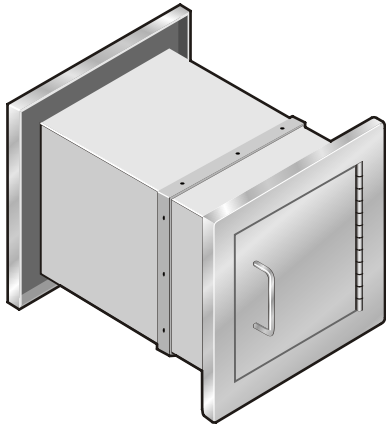


Product ID: MKR 4040



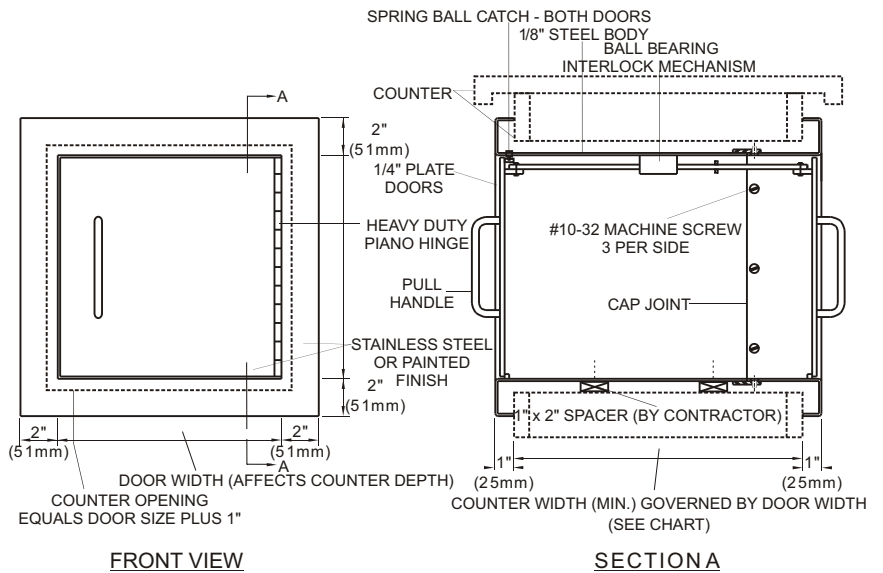
Package Receiver

SPECIFICATIONS:

- standard 1/8" steel body and 1/4" plate doors
- aluminum handles
- comes standard with one door stainless steel and one door painted finish, both doors can optionally be stainless steel or painted finish
- doors can optionally be locked using a La Gard digital combination lock or a CS-401 spring bolt lock

APPLICATION:

- used to safely pass packages in and out of secure areas
- interlock mechanism allows only one door to be opened at a time



- Security Equipment -



- Financial Institutions -

DOOR WIDTH	8" (203mm)	10" (254mm)	12" (305mm)	14" (356mm)	16" (406mm)	18" (457mm)	20" (508mm)	22" (559mm)	24" (610mm)	26" (660mm)
MIN. COUNTER DEPTH	11" (279mm)	13½" (343mm)	15½" (394mm)	17¾" (451mm)	21" (533mm)	23½" (597mm)	25½" (648mm)	27¾" (705mm)	31" (787mm)	33½" (851mm)