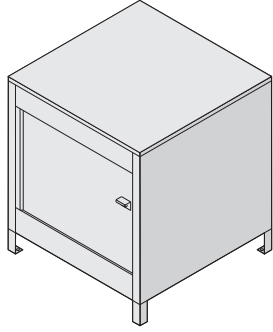


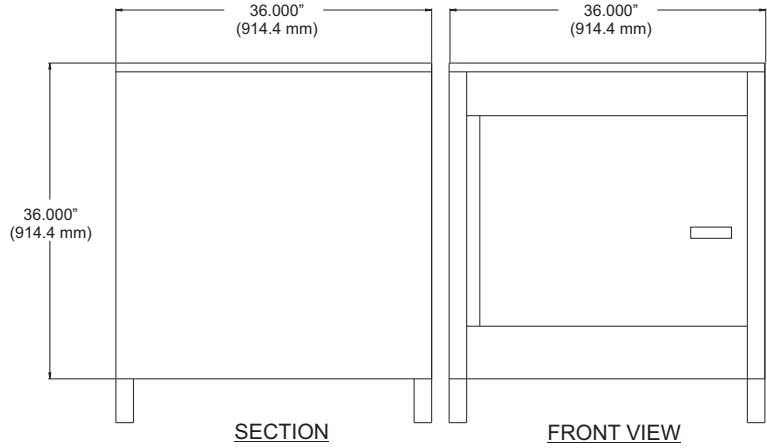
Product ID: MKR 2036-36



Courier Vault

SPECIFICATIONS:

- constructed from heavy gauge galvanized and painted sheet metal
- constructed to be secure and weather resistant
- two component long lasting acrylic paint finish over epoxy primer
- quality 5 pin tumbler / brass body camlock with master key availability
- legs provided with 1/2" holes for anchoring to ground
- shipping weight: 214 lbs.



APPLICATION:

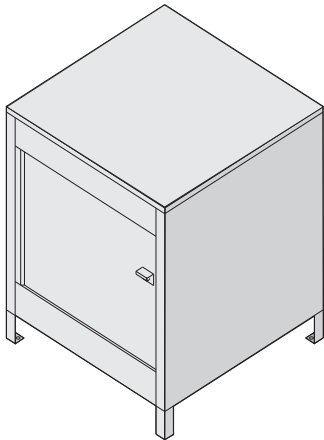
- after hours pick-up and storage of parcels

- Courier -



- Equipment -

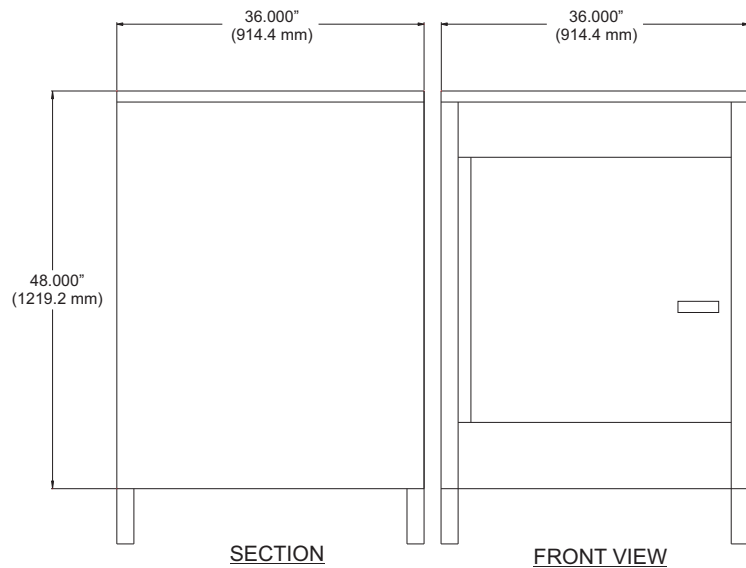
Product ID: MKR 2036-48



Courier Vault

SPECIFICATIONS:

- constructed from heavy gauge galvanized and painted sheet metal
- constructed to be secure and weather resistant
- two component long lasting acrylic paint finish over epoxy primer
- quality 5 pin tumbler / brass body camlock with master key availability
- legs provided with 1/2" holes for anchoring to ground



APPLICATION:

- after hours pick-up and storage of parcels