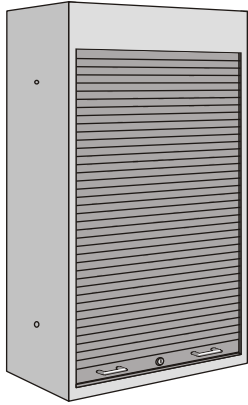


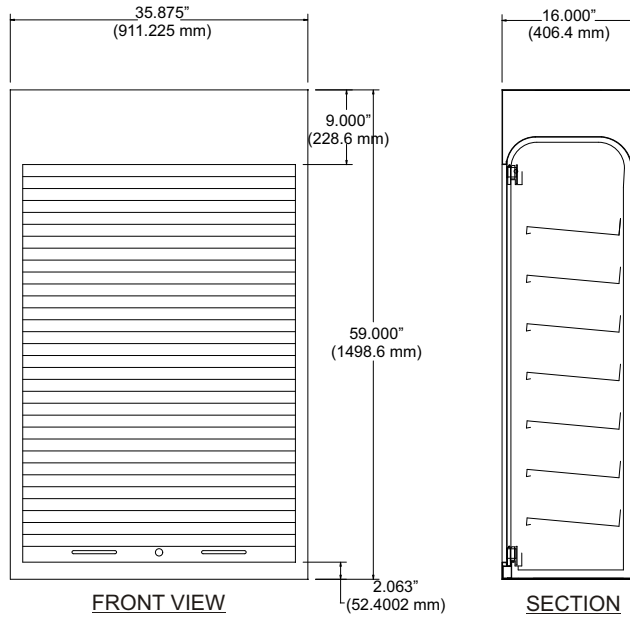
Product ID: MKR CIT59/36SQ-LD



Cigarette Cabinet

SPECIFICATIONS:

- 7 fully adjustable shelves
- plastic handles
- tubular camlock operating horizontal locking bars
- roll shutter made from roll formed aluminum with foam core
- cabinet made with 16 gauge welded construction
- finish: 2 coat acrylic paint finish



APPLICATION:

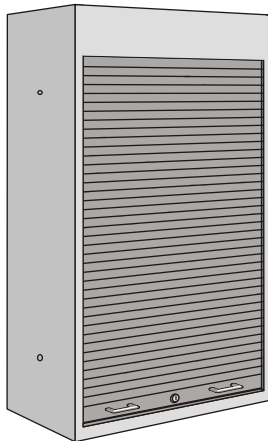
- storage of cigarette cartons

- Security Equipment -



- Retail Stores -

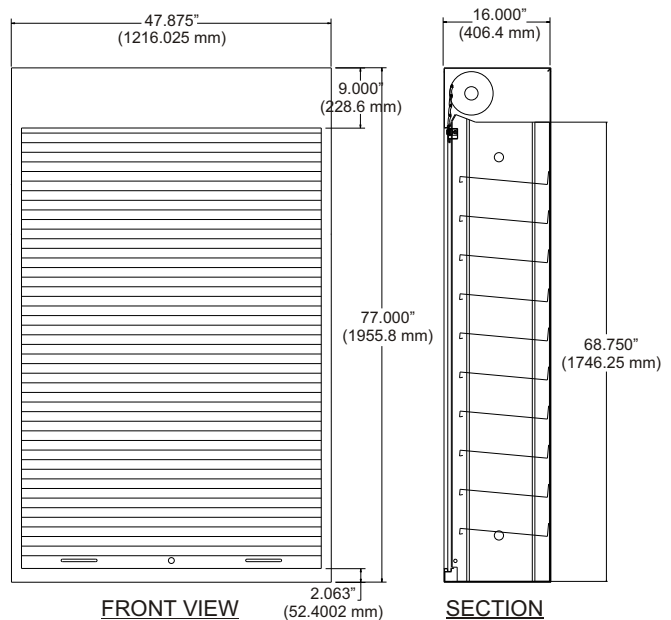
Product ID: MKR CIT77/48SQ-LD



Cigarette Cabinet

SPECIFICATIONS:

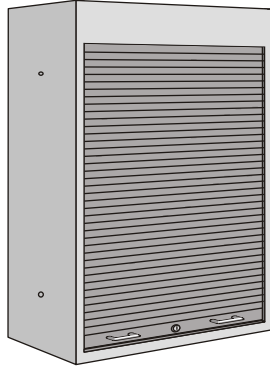
- 10 fully adjustable shelves
- plastic handles
- tubular camlock operating horizontal locking bars
- roll shutter made from roll formed aluminum with foam core
- cabinet made with 16 gauge welded construction
- finish: 2 coat acrylic paint finish



APPLICATION:

- storage of cigarette cartons

Product ID: MKR CIT59/48SQLD



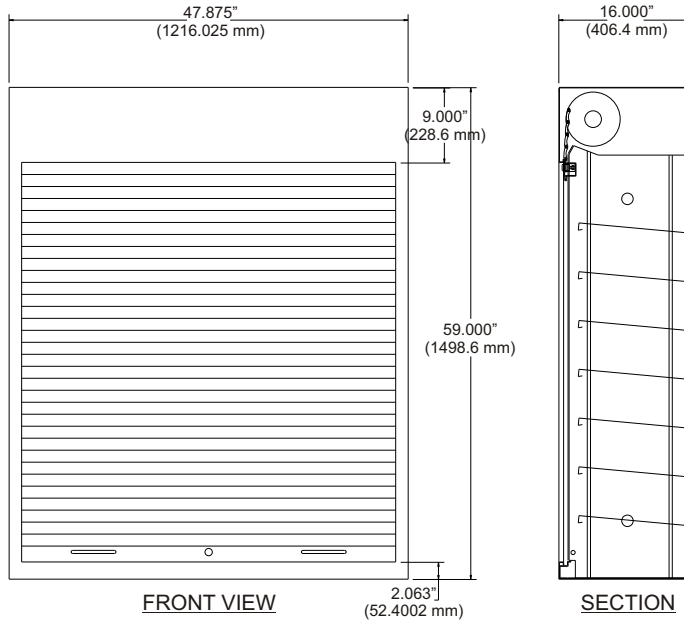
Cigarette Cabinet

SPECIFICATIONS:

- 7 fully adjustable shelves
- plastic handles
- tubular camlock operating horizontal locking bars
- roll shutter made from roll formed aluminum with foam core
- cabinet made with 16 gauge welded construction
- finish: 2 coat acrylic paint finish

APPLICATION:

- storage of cigarette cartons



- Security Equipment -



- Retail Stores -