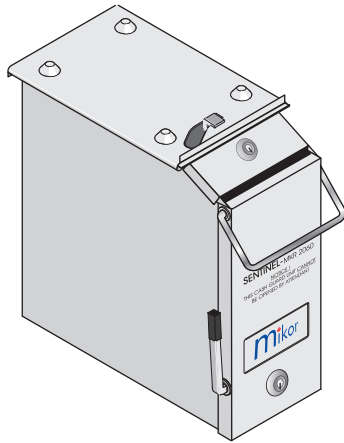


Product ID: MKR 2060



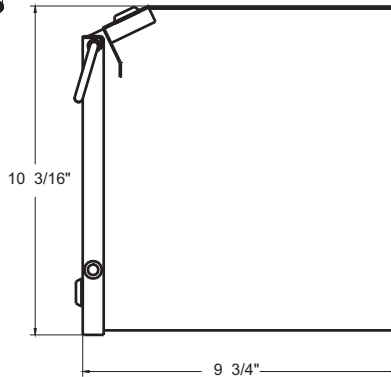
Cash Skim Box

SPECIFICATIONS:

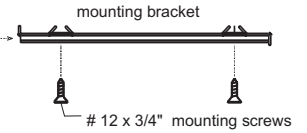
- sliding mounting bracket to lock skim box to counter
- electrostatically painted steel - black, white, grey
- drop slot c/w anti-fish baffle
- tubular camlock door & sliding bracket - keying customer's option
- push the tamping lever after every cash drop to maximize the interior capacity of the skim box
- shipping weight: 8 lbs.



FRONT VIEW



SECTION



- body construction 18 (0.048) gauge
- sliding bracket 14 (0.072) gauge
- electrostatic paint finish

APPLICATION:

- storage of excess cash from point of sale (POS) cash trays
- excess cash is "skimmed" so that only the float is held in the cash tray
- reduces the risk of losing cash
- locked securely to an under counter mounted sliding bracket

- Security Equipment -



- Retail Stores -