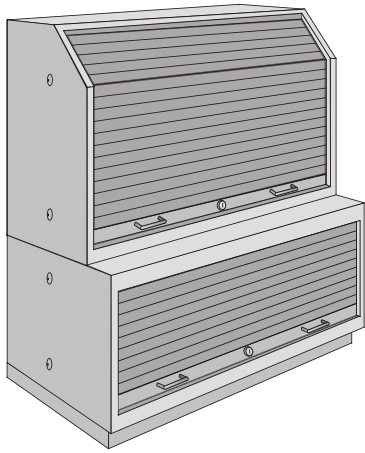


Product ID: MKR 2080 C2



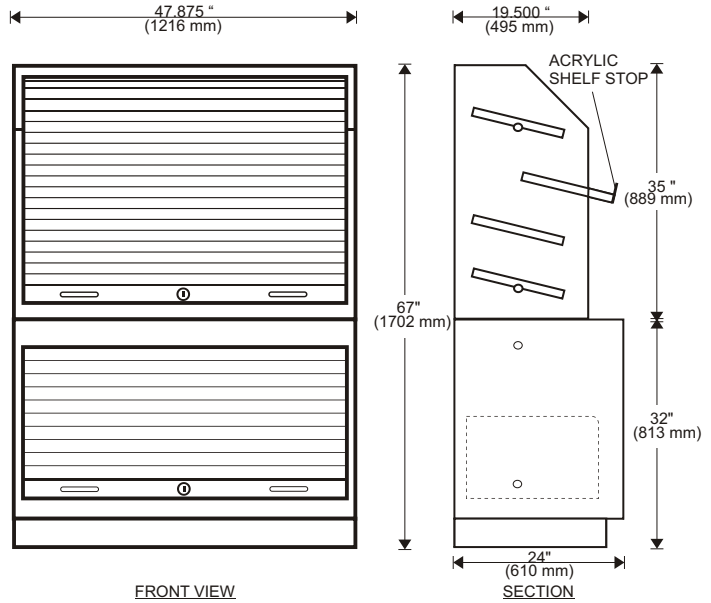
Cigarette Security Merchandiser

APPLICATION:

- courtesy counter cabinet style - storage of cigarette cartons
- cigarette holding capacity approximately 340 cartons
- upper cabinet (mixed sizes) approx. 140 cartons
- lower cabinet (mixed sizes) approx. 200 cartons

SPECIFICATIONS:

- upper cabinet - 4 fixed pull-out shelves - factory set at 15° slanted forward
- lower cabinet - pull-out carton tray
- plastic handles
- tubular camlock operating horizontal locking bars
- roll shutter made from roll formed aluminum with foam core
- upper and lower cabinet made with 16 gauge welded construction
- .375" knockouts on side of unit for joining cabinets
- finish: 2 part epoxy primer 2 part acrylic top coat

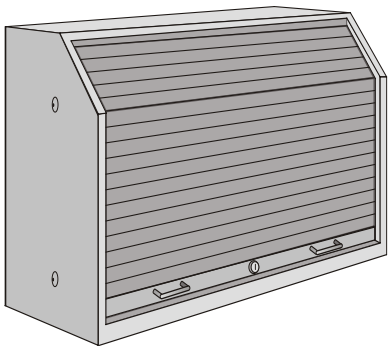


- Security Equipment -



- Retail Stores -

Product ID: MKR 2080 C2 Upper



Cigarette Security Merchandiser

APPLICATION:

- courtesy counter cabinet style - storage of cigarette cartons
- cigarette holding capacity approximately 140 cartons

SPECIFICATIONS:

- 4 fixed pull-out shelves - factory set at 15° slanted forward
- plastic handles
- tubular camlock operating horizontal locking bars
- roll shutter made from roll formed aluminum with foam core
- cabinet made with 16 gauge welded construction
- .375" knockouts on side of unit for joining cabinets
- finish: 2 part epoxy primer 2 part acrylic top coat

