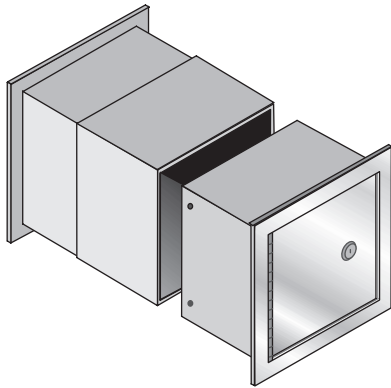


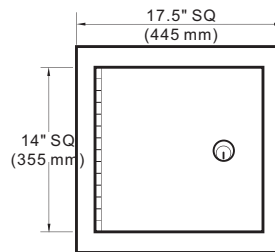
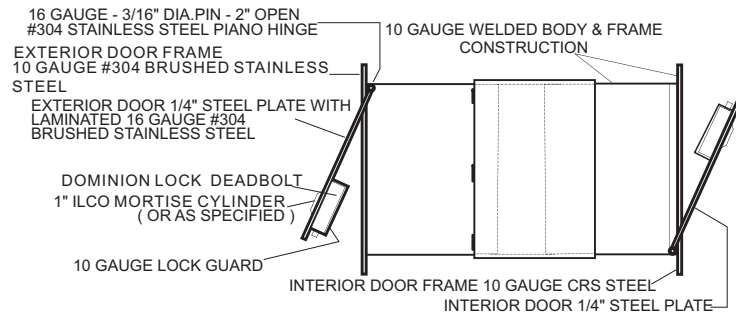
Product ID: MKR 2014-14 CCS



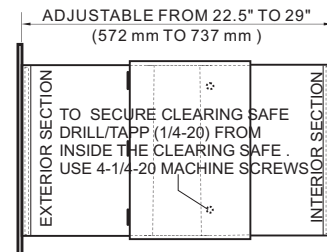
Courier Clearing Safe

SPECIFICATIONS:

- all non stainless steel surfaces are painted using two component epoxy primer, top coat using two component acrylic
- standard colour: beige
- shipping weight: 132 lbs.



FRONT VIEW



SECTION

APPLICATION:

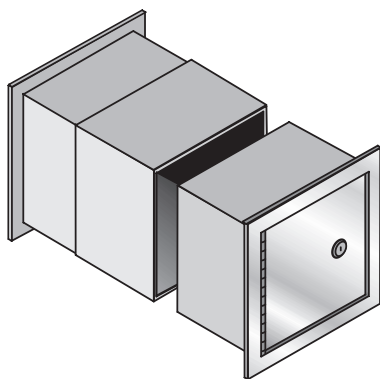
- overnight pickup or drop off of parcels

- Courier -



- Equipment -

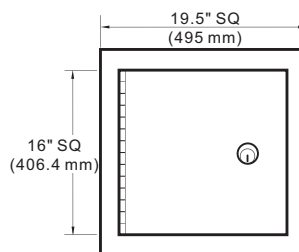
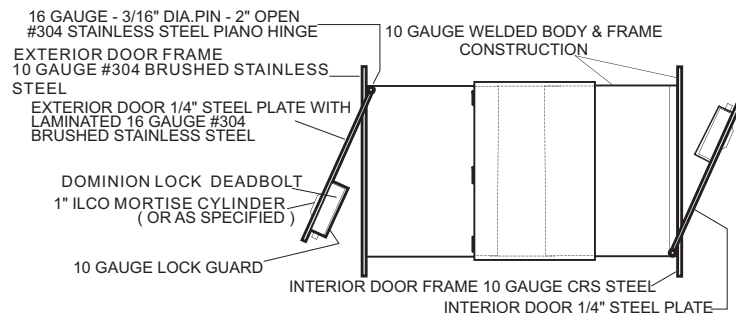
Product ID: MKR 2014-16 CCS



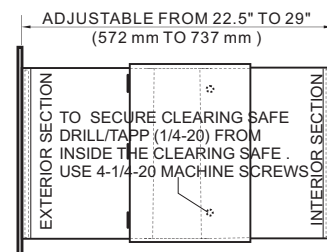
Courier Clearing Safe

SPECIFICATIONS:

- all non stainless steel surfaces are painted using two component epoxy primer, top coat using two component acrylic
- standard colour: beige



FRONT VIEW

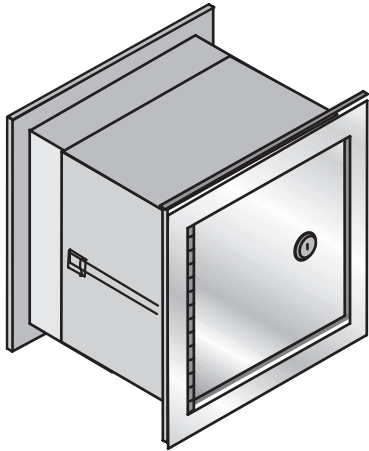


SECTION

APPLICATION:

- overnight pickup or drop off of parcels

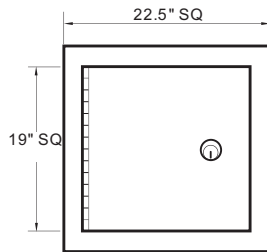
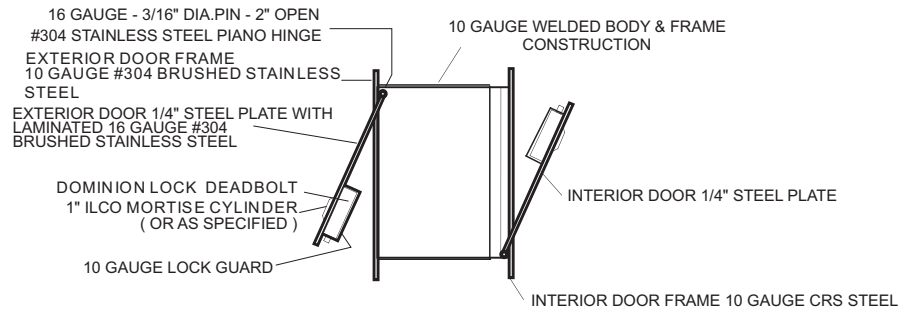
Product ID: MKR 2014-19 CCS



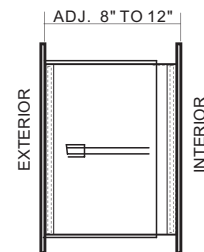
Courier Clearing Safe

SPECIFICATIONS:

- all non stainless steel surfaces are painted using two component epoxy primer, top coat using two component acrylic
- standard colour: beige
- shipping weight: 125 lbs.



FRONT VIEW



SECTION

APPLICATION:

- overnight pickup or drop off of parcels

- Courier -



- Equipment -